



## SUSPENSION DROPS

Multi-function LED panel, weatherproof and linear extrusion suspension drops

### Application

Panel, weatherproof and linear extrusion accessories for retail, residential and commercial applications

### Design Specifications

- M10 size ceiling attachment
- 1.2 mm stainless steel wire carrying weight up to 45 kg
- M10 size griplock system
- NOTE: SSI and SSI codes represent one (1) wire drop only. Four (4) per panel are required for SSI and two (2) for SSI products
- NOTE: suspension brackets and suspension drops MUST be ordered separately

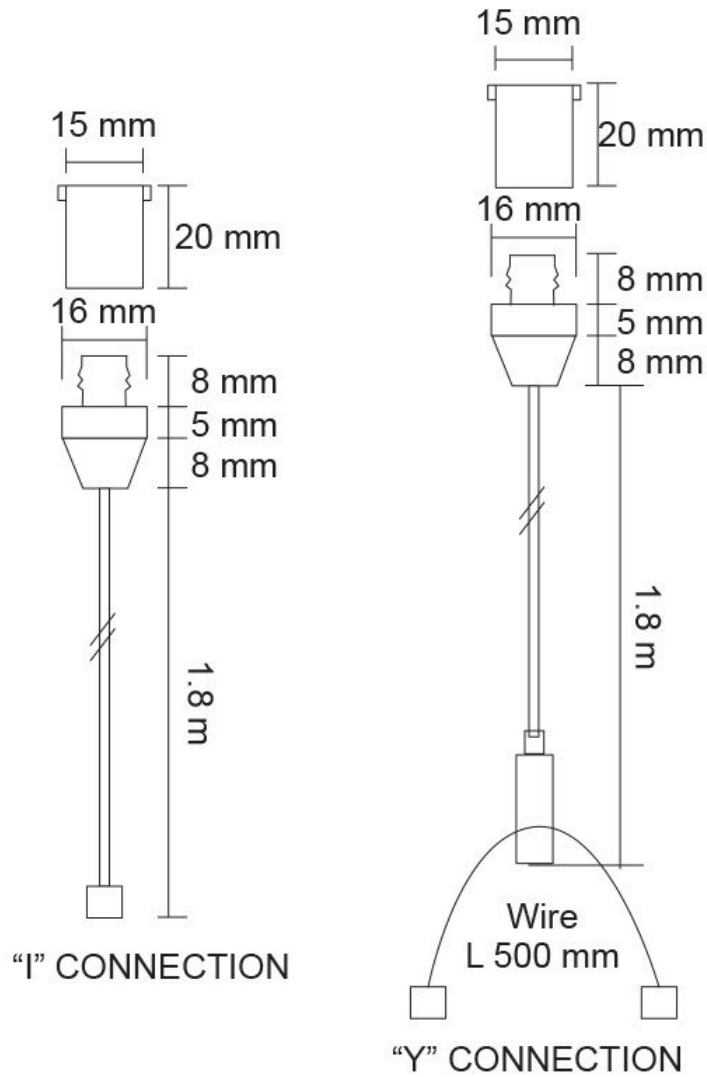


### Technical Specification

Model No.	Description	Body Colour	Dim (mm)
S9714SP6	PANEL SUSPEND. BRACKET X 6	STAINLESS STEEL	
S9754SP6	PANEL SUSPEND. BRACKET X 6	STAINLESS STEEL	
SSI1512	"I" SUSPENSION DROP	STAINLESS STEEL	1800(L)
SSY1512	"Y" SUSPENSION DROP	STAINLESS STEEL	1800(L)

Due to continued product and technology enhancements, data sourced from sal.net.au shall not form part of any contract and or technical performance guarantee unless expressly confirmed in writing by SAL at the time of order. Products are sold in accordance with [SAL Terms and Conditions of sale](#) and all images shown are for illustration purposes only and may vary from the actual colour or finish. Unless specifically stated, all IP ratings nominated for Interior products are from "below the ceiling".

## Dimensions



## Product Images

