



## PLUTO DIM 350MA

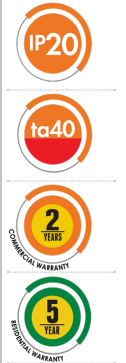
Australian approved dimmable constant current LED drivers

### Application

The perfect choice for constant current electronic lighting circuits

### Design Specifications

- SELV and EMC compliant
- Safe no load operation
- Overload and short circuit protection
- Dimmable with trailing edge dimmer, Dimming range 10%~100%
- Recommended SAL trailing edge dimmers SDD350UM, SDD400U, SDA450U, SDD350BT.



### Performance

Dimmable - **YES**  
Dimmer Type - **TRAILING EDGE**

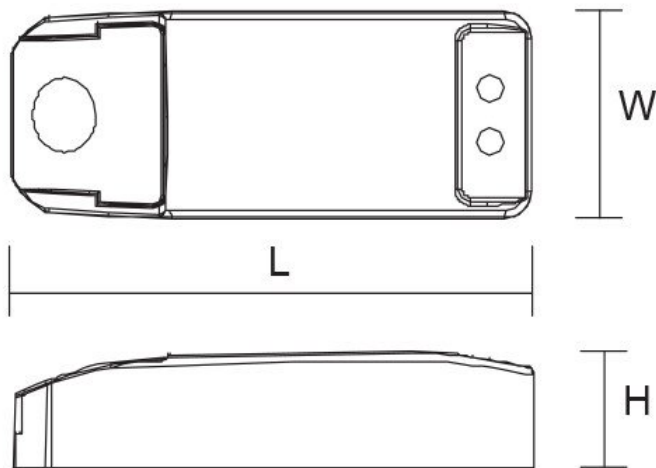
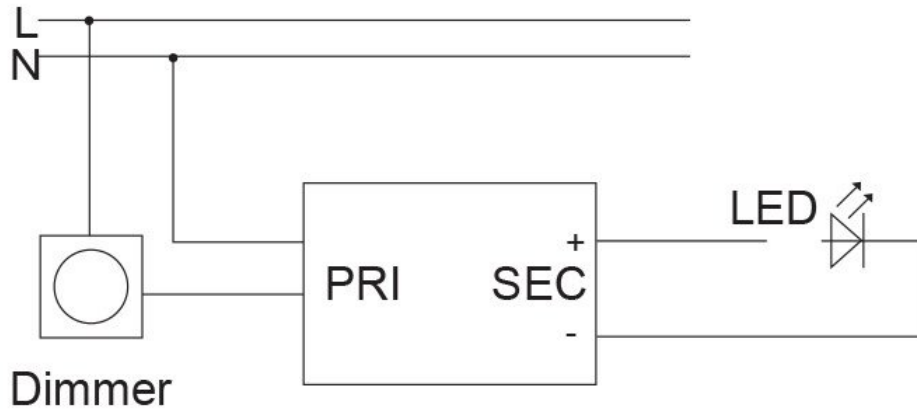
### Technical Specification

Model No.	Input Voltage (V/AC)	Output Voltage (V/DC)	Power (W)	Output Current (mA)	Power Factor	Dim (mm)
<b>DIM350mA/12W</b>	240	18-35	12	350	0.9	98(L) x 40(W) x 24(H)
<b>DIM350mA/18W</b>	240	30-54	18	350	0.9	121(L) x 45(W) x 20(H)

Due to continued product and technology enhancements, data sourced from sal.net.au shall not form part of any contract and or technical performance guarantee unless expressly confirmed in writing by SAL at the time of order. Products are sold in accordance with [SAL Terms and Conditions of sale](#) and all images shown are for illustration purposes only and may vary from the actual colour or finish. Unless specifically stated, all IP ratings nominated for Interior products are from "below the ceiling".

## Dimensions

### Wiring Diagram





## Product Images

---

