



LEDLINE SLD4000 - 40W

LED diffused batten 40 watt

Application

Conventional LED linear surface mount batten for commercial service spaces

Design Specifications

- Pressed steel body profile
- Quality white powder coat finish with an opal PMMA diffuser
- High efficiency SMD LED chips, CRI > 80, 4000K
- Integral constant current non-dimmable LED driver 40 watt, dimming and sensor options available
- Large terminal block, easy installation
- Unique diffuser design allows end to end installation, emergency options available compliant to AS/NZS 2293



Performance

Dimmable - **OPTIONAL**

Dimmer Type - **Trailing edge, 1-10V, DALI / DSI**

Technical Specification

Model No.	Description	Input Voltage (V/AC)	Power (W)	Lumens (lm)	CCT (K)	CRI
SLD4000CW	LED BATTEN 40W	240	40	3800	4000	80
SLD4000CW/C	LED BATT 40W CORRIDOR FUNCTION	240	40	3800	4000	80

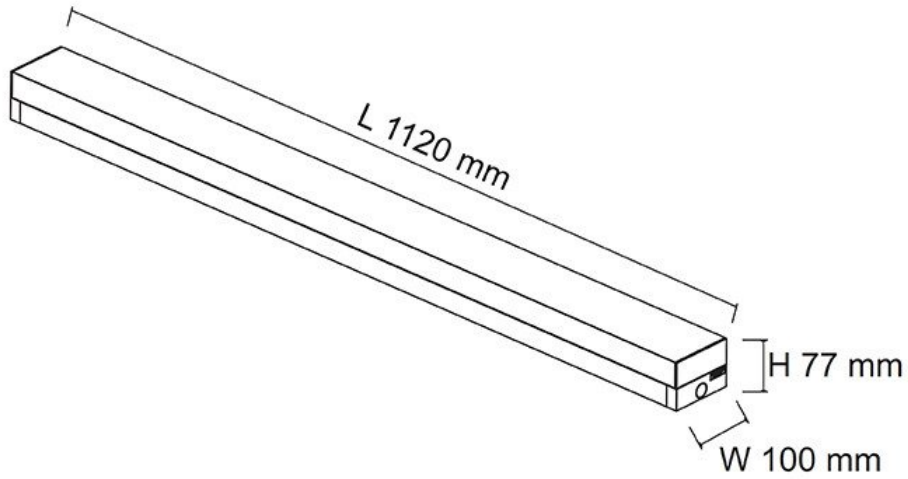
Technical Specification

Model No.	Beam Angle (°)	Dim (mm)	Body Colour
SLD4000CW	120	1120(L) x 100(W) x 77(H)	WHITE
SLD4000CW/C	120	1120(L) x 100(W) x 77(H)	WHITE

Due to continued product and technology enhancements, data sourced from sal.net.au shall not form part of any contract and or technical performance guarantee unless expressly confirmed in writing by SAL at the time of order. Products are sold in accordance with [SAL Terms and Conditions of sale](#) and all images shown are for illustration purposes only and may vary from the actual colour or finish. Unless specifically stated, all IP ratings nominated for Interior products are from "below the ceiling".

Dimensions

SLD4000



Photometric Data

Unit: cd C0/C180 _____ C90/C270 _____

SLD4000CW at 4000K

