



LED TRACK LIGHT STR4885 - 30W

Decorative three circuit rotatable 30 watt LED track light

Application

Designed for decorative and retail and commercial applications

Design Specifications

- Extruded aluminium profile, horizontal 350 degree rotatable , 90 degree vertical
- Quality white or black powder coated finish
- Clear tempered glass cover
- High output COB LED chip, CRI>90, CCT 3000K, 4000K
- Beam angle 38 deg standard, 12 or 24 degree optional
- Integral constant current non-dimmable 30 watt LED driver



Technical Specification

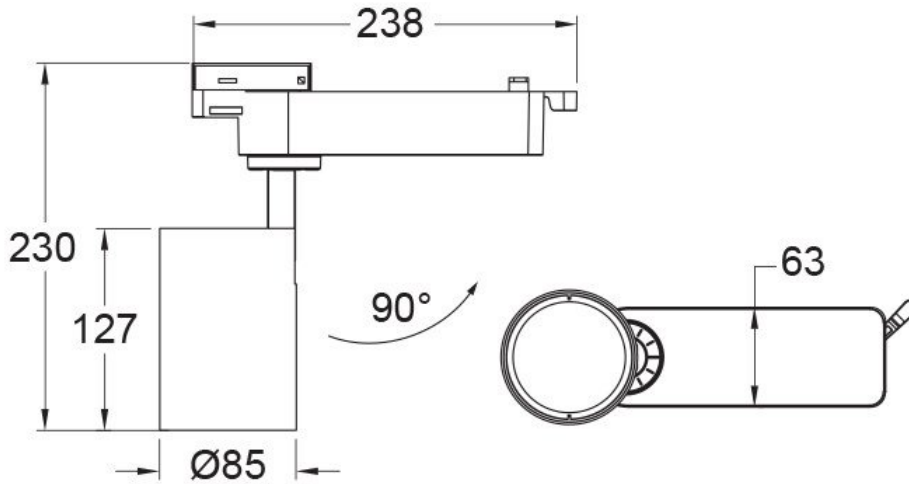
Model No.	Input Voltage (V/AC)	Power (W)	Lumens (lm)	CCT (K)	Body Colour	CRI
STR4885WW/WH	240	30	2600	3000	WHITE	80
STR4885CW/WH	240	30	2600	4000	WHITE	80
STR4885WW/BK	240	30	2600	3000	BLACK	80
STR4885CW/BK	240	30	2600	4000	BLACK	80

Technical Specification

Model No.	Beam Angle (°)
STR4885WW/WH	38
STR4885CW/WH	38
STR4885WW/BK	38
STR4885CW/BK	38

Due to continued product and technology enhancements, data sourced from sal.net.au shall not form part of any contract and or technical performance guarantee unless expressly confirmed in writing by SAL at the time of order. Products are sold in accordance with [SAL Terms and Conditions of sale](#) and all images shown are for illustration purposes only and may vary from the actual colour or finish. Unless specifically stated, all IP ratings nominated for Interior products are from "below the ceiling".

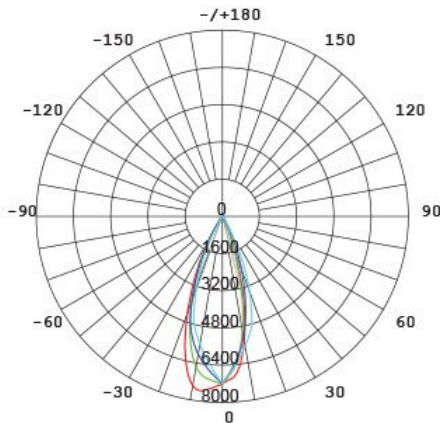
Dimensions



Photometric Data

Unit: cd C0/C180 — C30/C210 —
 cd C60/C240 — C90/C270 —

STR4885WW at 3000K



Product Images

