



LED RGB STRIP CONTROL LT8915RGB/BT

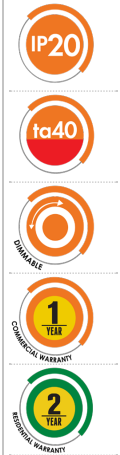
SMART HOME - Australian approved, multi-voltage, RGB, dimmable, LED strip controller with Bluetooth connectivity

Application

Home theatre, commercial spaces and decorative feature lighting designs, which require smart RGB control

Design Specifications

- Designed for RGB colour brightness control, smooth 0 - 100% dimming
- Input voltage range: 12-24V DC
- Each controller provides three output channels with a maximum current of 6A for each channel, 432W maximum power output at 24V
- Supports momentary switch (bell press) control on any wall plates, control button for easy commissioning
- Four flashing modes, optional memory function
- Supports both wireless and wired group control



Performance

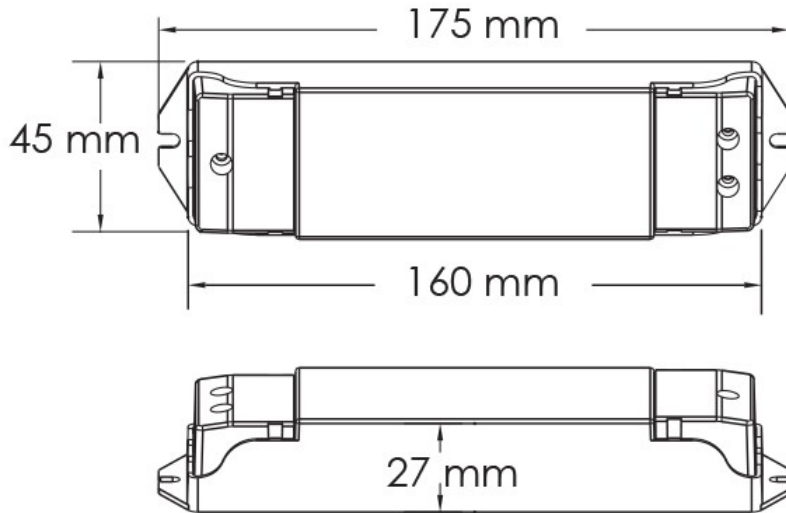
Dimmable - **YES**
Dimmer Type - **PIXIE Bluetooth control**

Technical Specification

Model No.	Description	Input (V)	Power (W)	Dimensions (mm)
LT8915RGB/BT	LED RGB STRIP CONTROLLER	24	432	175(L) x 45(W) x 27(H)

Due to continued product and technology enhancements, data sourced from sal.net.au shall not form part of any contract and or technical performance guarantee unless expressly confirmed in writing by SAL at the time of order. Products are sold in accordance with [SAL Terms and Conditions of sale](#) and all images shown are for illustration purposes only and may vary from the actual colour or finish.

Dimensions



Wiring Diagram

