



GLOW SL7362 - 3.6W

4 watt, IP67 LED inground luminaire, IK08 rated

Application

Decorative residential exterior solution, ideal for decks and pathways

Design Specifications

- Durable stainless steel body
- Clear tempered glass diffuser
- Frosted optical LED lens
- High output LED chips, 12V DC constant voltage driver required
- 1 m 2 core rubber flex, IP67 nickel plated copper cable gland, PVC installation cannister included
- Suitable SAL LED drivers, PLUTO 15DV, PLUTO 30DV, PLUTO 50DV



Technical Specification

Model No.	Description	Input Voltage (V/DC)	Power (W)	Lumens (lm)	CCT (K)	CRI
SL7362WW/SLS	LED INGROUND 4W WW S/STEEL	12	4	300	3000	80
SL7362DL/SLS	LED INGROUND 4W DL S/STEEL	12	4	300	6000	80

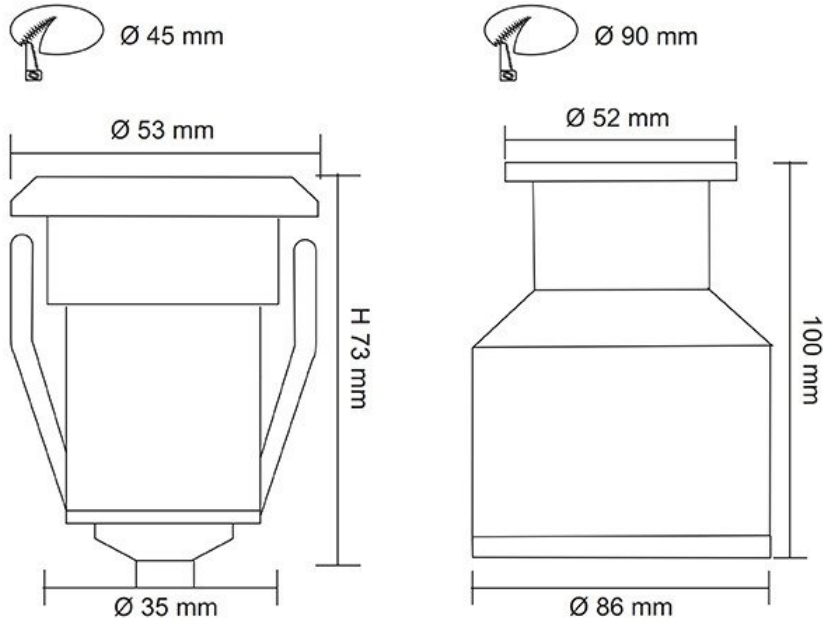
Technical Specification

Model No.	Beam Angle (°)	Dim (mm)	Body Colour
SL7362WW/SLS	15	53(W) x 100(H)	STAINLESS STEEL
SL7362DL/SLS	15	53(W) x 100(H)	STAINLESS STEEL

Due to continued product and technology enhancements, data sourced from sal.net.au shall not form part of any contract and or technical performance guarantee unless expressly confirmed in writing by SAL at the time of order. Products are sold in accordance with [SAL Terms and Conditions of sale](#) and all images shown are for illustration purposes only and may vary from the actual colour or finish. Unless specifically stated, all IP ratings nominated for Interior products are from "below the ceiling".

Dimensions

SL7362



Product Images

