



BROOM S9311 - 3W

LED 3 watt recessed square profile wall luminaire

Application

Ideal for any residential or commercial interior space

Design Specifications

- Durable extruded aluminium body profile
- Quality white powder coat or satin nickel plated finish
- High efficiency SMD LED chips, 3000K, CRI >80, beam distribution 105 degree
- Opal acrylic diffuser
- Suitable drivers - PLUTO EGL12V/6W, PLUTO 15DV, 30DV, 50DV
- 12V AC or DC non-dimmable driver required



Technical Specification

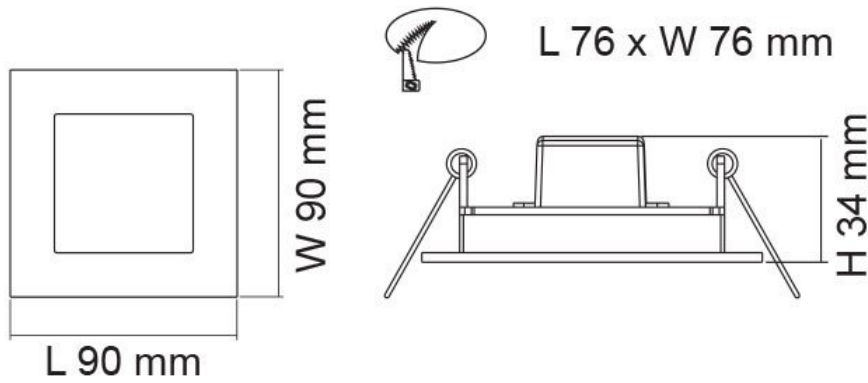
Model No.	Input Voltage (V/AC)	Input Voltage (V/DC)	Power (W)	Lumens (lm)	CCT (K)	CRI
S9311 WH	12	12	3	110	3000	80
S9311 SN	12	12	3	110	3000	80
S9311 DL SN	12	12	3	110	6000	80

Technical Specification

Model No.	Beam Angle (°)	Dimmable	Dim (mm)	Body Colour
S9311 WH	105	NO	90(L) x 90(W) x 34(H)	WHITE
S9311 SN	105	NO	90(L) x 90(W) x 34(H)	SATIN NICKEL
S9311 DL SN	105	NO	90(L) x 90(W) x 34(H)	SATIN NICKEL

Due to continued product and technology enhancements, data sourced from sal.net.au shall not form part of any contract and or technical performance guarantee unless expressly confirmed in writing by SAL at the time of order. Products are sold in accordance with [SAL Terms and Conditions of sale](#) and all images shown are for illustration purposes only and may vary from the actual colour or finish. Unless specifically stated, all IP ratings nominated for Interior products are from "below the ceiling".

Dimensions



Photometric Data

Unit: cd C0/C180 _____ C90/C270 _____

S9311 at 3000K

