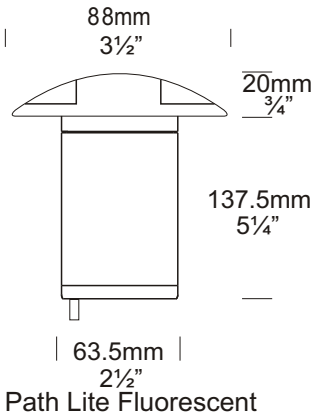
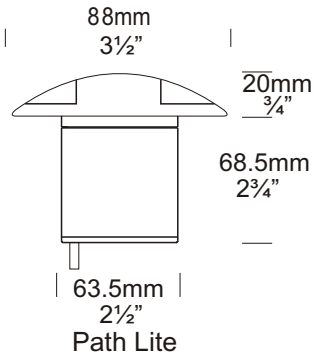


# Path Lite

Cat. No. PL



The Path Lite is ideal for lighting flat areas, decks, paved courtyards, and edge lighting paths. The new version now comes with a G4 Halogen capsule which is mounted higher allowing for greater projection of horizontal light. This new capsule coupled with a frosted Borosilica dome glass lens significantly reduces glare through 1, 2, 3 or 4 facets. The frosted Borosilica dome glass lens has been developed to prevent dirt, mud, grass clippings or water from entering the optics area, keeping with its IP68 rating. In addition, the glass lens now retains the sealing gasket. The Path Lite 2 facet may be used as a Step Lite in a wall or fence, etc. to shine light up and down.

The Path Lite flanges are very durable and can withstand static weight loads of between 1700kg and 3500kg.

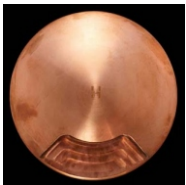
A 110/240 volt fluorescent option is available, which offers excellent light output, low energy usage and very low heat generation. This option changes the luminaire to an IP66 rating. A GU10 version of this luminaire is also available for line voltage lamps.



PATH 1 - 180° Beam

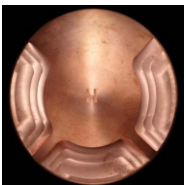
PATH 90 - 1-90°

PATH 2 - 2-90°

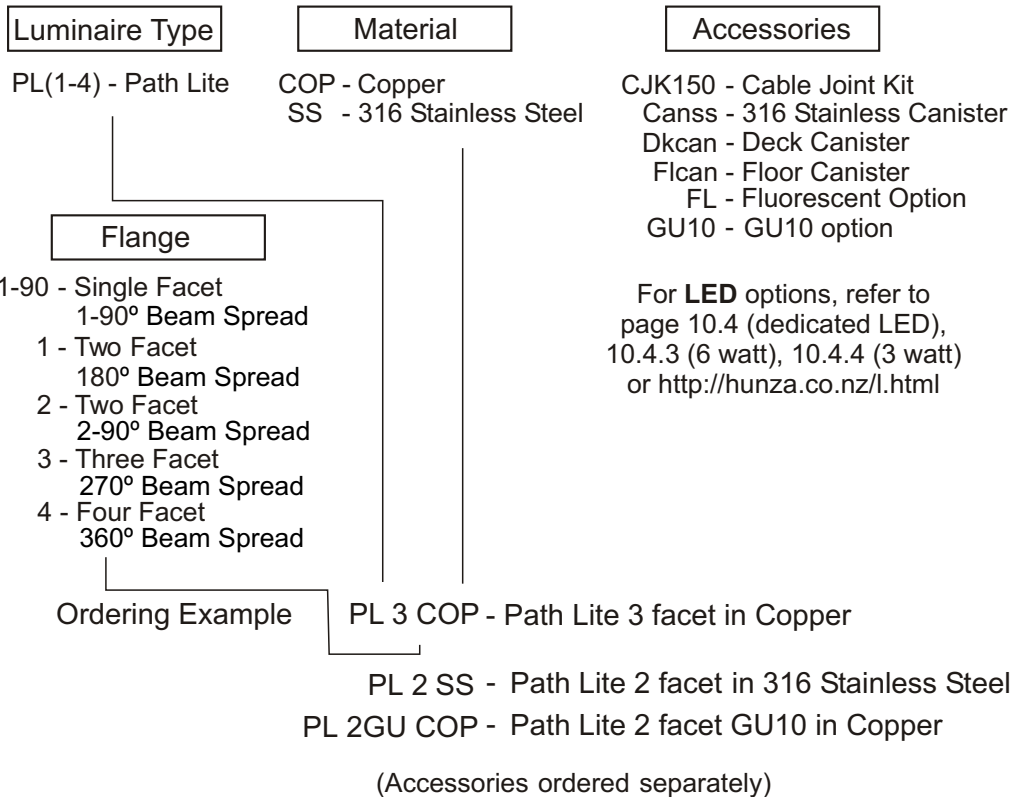


PATH 3 - 270°

PATH 4 - 360°



## Ordering Information



For **LED** options, refer to page 10.4 (dedicated LED), 10.4.3 (6 watt), 10.4.4 (3 watt) or <http://hunza.co.nz/l.html>

**HUNZA**™ PURE OUTDOOR LIGHTING

**HUNZA FACTORY**  
130 Felton Mathew Ave  
Glen Innes  
Auckland 1072  
New Zealand

Ph: 64-9-528 9471  
Fax: 64-9-528 9361  
[hunza@hunza.co.nz](mailto:hunza@hunza.co.nz)  
[www.hunza.co.nz](http://www.hunza.co.nz)

**INTERNATIONAL CONTACTS:**  
[www.hunza.co.nz/contacts.php](http://www.hunza.co.nz/contacts.php)

Specifications may change without notice.  
Manufactured in New Zealand.  
© 2011 Hunza Holdings Ltd.

## Luminaire Construction

CNC machined from one of the following metals:

Copper Body: 63.5mm (2½") x 9mm (1/3"). End cap - solid copper 63.5mm (2½") rod.  
Flange 90mm (3½") solid copper rod.

316 Stainless Steel Body: 63.5mm (2½") x 9mm (1/3").  
End cap - solid 316 stainless steel 63.5mm (2½") rod.  
Flange 90mm (3½") solid 316 stainless steel rod.

## Mounting

Floor Lite canister (see accessories) can be used for casting into concrete or a Deck Lite canister for mounting into a wooddeck. Two screws holes in the flange can be specified if canisters are not required.

## Features

**Lens:**  
3mm (1/8") thick frosted Borosilica dome glass lens.  
Lifetime Warranty.

**Gaskets:**  
Silicone, iron impregnated 220°C (428°F).

**Lamp Holders:**  
G4 & GU10 - 350°C (662°F) ceramic multi contact lamp holder with 250°C (480°F) teflon cables.

**Fluorescent:**  
E27 PET 210°C (410°F) base mount.  
E26 available in the USA.

**Accessories:**  
Cable Joint Kit (Cat. CJK150).  
Not approved for USA/Canada.  
Deck Light Canister (Cat. Dkcan).  
Floor Canister (Cat. Fican).  
316 Stainless Canister for use in lime stone etc. (Cat. Canss).  
Fluorescent Option (Cat. FL).  
GU10 Option (Cat. GU).

## Standards

EN60598

IP66/IP68



UL1838

## Luminaire Weight

12 volt

Cop 1.430kg (3lb 2oz)  
SS 1.105kg (2lb 6oz)

## Power Supply

HUNZA™ Inground or Wall Mount  
Transformer: not included.

USA and Canada:

HUNZA™ Wall Mount Transformer:  
not included.

## Luminaire: supplied with

Halogen

G4 20 watt lamp max.  
GU10 - GU10 25 or 35 watt lamp max.

**LED** - Refer to previous page.

USA and Canada:

G4 20 watt lamp max.  
GU10 Halogen - Lamp not supplied

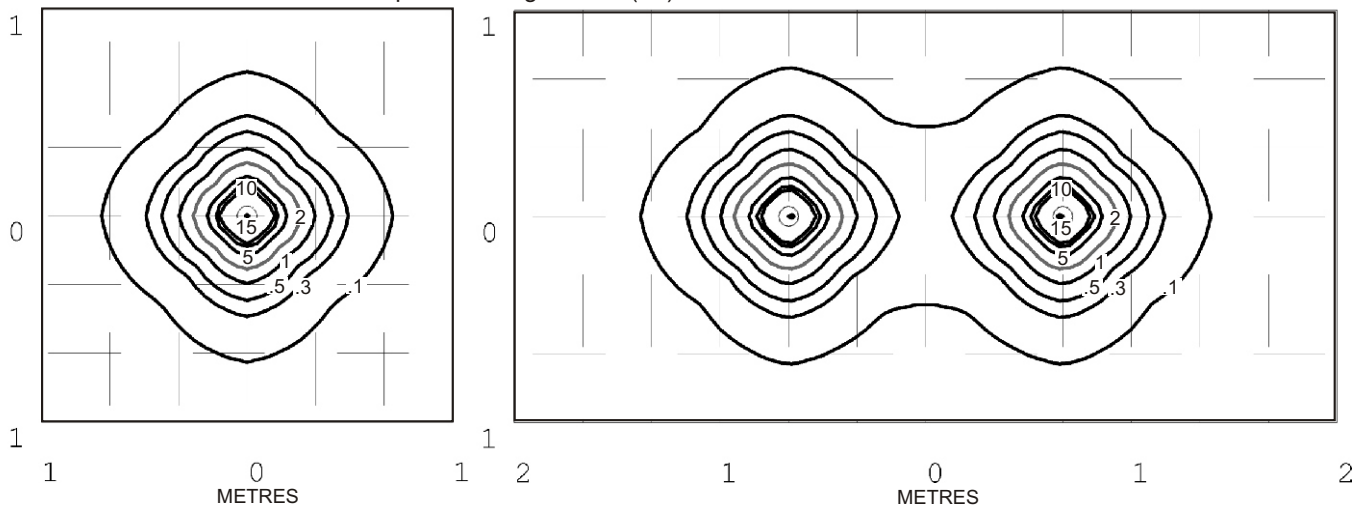
**LED** - Refer to previous page.

## Hunza Path Lite Static Load Rating (316 Stainless Steel)

Code	Description	Onset of plastic deformation (kN)	Suggested rating
PL1-90 SS	Single Facet	35	3500kg (7716lb)
PL1 SS	Two Facet 180°	26	2650kg(5842lb)
PL2 SS	Two Facet 90°	20	2000kg(4409lb)
PL3 SS	Three Facet	19	1900kg(4189lb)
PL4 SS	Four Facet	17	1700kg(3748lb)

Note: 1 Kilonewton (kN) equals 101.972 Kilograms (KG's)

Path Lite 4 facet G4 20 watt lamp - Lens height 5mm (¼")



Isolux Lumens Plot - Footcandles = Isolux figures divided by 10.76

**HUNZA**™ PURE OUTDOOR LIGHTING

**HUNZA FACTORY**  
130 Felton Mathew Ave  
Glen Innes  
Auckland 1072  
New Zealand

Ph: 64-9-528 9471  
Fax: 64-9-528 9361  
hunza@hunza.co.nz  
www.hunza.co.nz

**INTERNATIONAL CONTACTS:**  
www.hunza.co.nz/contacts.php

Specifications may change without notice.  
Manufactured in New Zealand.  
© 2011 Hunza Holdings Ltd.

Ver 1.4