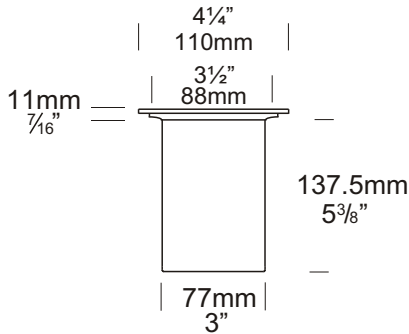
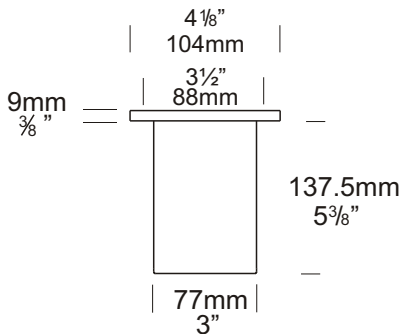


Flush Floor Lite

- Cat. No. FFLSP
- Cat. No. FFLSPSQ
- Cat. No. FFLSPGU
- Cat. No. FFLSPSQGU
- Cat. No. FFLSPMH20
- Cat. No. FFLSPMH35
- Cat. No. FFLSPSQMH20
- Cat. No. FFLSPSQMH35



Flush Floor Lite Square



Flush Floor Lite



The Flush Floor Lite has been designed to mount flush with the level of a pathway, hotel floor or a building foyer. The 'Flush Fit' lens stops water pooling and depositing dirt on the lens. There is no lip to trip over and the luminaire can be driven over or walked upon without being damaged.

The square shape of The Flush Floor Lite Square makes it ideal for mounting in tiled areas.

A GU10 version of this luminaire is also available for line voltage lamps. The Flush Floor Lite Metal Halide is extremely energy efficient, outputting 2-3 times the light of a halogen lamp, and uses a GX10 20 or 35 watt lamp. The Metal Halide version is not UL or CSA approved for use in the USA or Canada.

Ordering Information

Luminaire Type	Material	Accessories
FFLSP - Flush Floor Lite FFLSPSQ - Flush Floor Lite Square	SS - 316 Stainless Steel COP - Copper Body with Copper Ring and Stainless Canister Body.	CJK150 - Cable Joint Kit LENS - Dichroic Coloured Lens HCL - Hex Cell Adaptor LENSSPREAD - Linear Spread Lens LENSSTEPF - Frost Lens GU - GU10 Option MH - Metal Halide Option

For LED options, refer to page 10.4 (dedicated LED), 10.4.3 (6 watt), 10.4.4 (3 watt) or <http://hunza.co.nz/l.html>

Ordering Example: FFLSP SS - Flush Floor Lite in 316 Stainless Steel

- FFLSPGU SS - Flush Floor Lite GU10 in 316 Stainless Steel
- FFLSPMH20 SS - Flush Floor Lite Metal Halide 20 watt in 316 Stainless Steel
- LENS B - Blue Lens

HUNZA™ PURE OUTDOOR LIGHTING

HUNZA FACTORY
130 Felton Mathew Ave
Glen Innes
Auckland 1072
New Zealand

Ph: 64-9-528 9471
Fax: 64-9-528 9361
hunza@hunza.co.nz
www.hunza.co.nz

INTERNATIONAL CONTACTS:
www.hunza.co.nz/contacts.php

Specifications may change without notice.
Manufactured in New Zealand.
© 2011 Hunza Holdings Ltd.

Ver 1.4

Luminaire Construction

CNC machined from:

Body:

316 Stainless Steel or Copper
63.5mm (2½") x 9mm (11/32").
End Cap - 316 Stainless Steel or
Copper 63.5mm (2½") rod.

Canister:

Stainless Steel: 316 Stainless Steel
Canister 148.5mm (5½") x 1mm (3/64").

Copper: Copper ring and 316
Stainless Steel Canister body
148.5mm (5½") x 1mm (3/64").

Flange:

316 Stainless Steel or Copper
104mm (4 1/8").

Flange Square:

316 Stainless Steel or Copper
110mm (4 3/4") x 110mm (4 3/4").

Mounting

The luminaire is pushed into the
canister and is held by one silicone
"O" ring: Cast into concrete, brick,
concrete block etc.
Maximum drive over speed 10 km/h
(6 mph) and maximum vehicle
weight 1500kg (3300lbs).

Features

Lens:

10mm (3/8") thick 'Flush Fit' clear
tempered shatter resistant glass.

Lifetime Warranty.

Gasket:

Silicone, iron impregnated 220°C
(428°F).

Lamp Holders:

GU5.3 & GU10 - 350°C (662°F)
ceramic multi contact lamp holder
with 250°C (480°F) teflon cables.

Metal Halide GX10 - 350°C (662°F)
ceramic multi contact lamp holder
with 250°C (480°F) teflon cables.

Accessories:

Cable Joint Kit (Cat. CJK150).
Frosted Lens (Cat. LENSSTEPF).
Hex Cell Louvre Adaptor (Cat. HCL)
(Note: Supplied as standard for
USA/Canada).
Dichroic Coloured Lens (Cat. LENS)
(Refer to Sheet no. 10.8).
Linear Spread Lens (Cat.
LENSSPREAD).
GU10 Option (Cat. GU).
Metal Halide Option (Cat. MH).

Standards

EN60598

IP68



UL1838

Luminaire Weight

SS 1.50kg (3lb 5oz)
COP 1.70kg (3lb 12oz)

Power Supply

HUNZA™ Inground or Wall Mount
Transformer: not included.

Metal Halide - 230-240 volt ac 50Hz
built in ballast

USA and Canada:

HUNZA™ Wall Mount Transformer:
not included.

Metal Halide Version not UL or
CSA approved for use in USA/Canada.

Luminaire: supplied with

MR16 GU5.3 - 20 watt lamp max.
GU10 - GU10 25 or 35 watt lamp max.

LED - Refer to previous page.

Metal Halide - GX10 20 or 35 watt lamp

Fluorescent

E27 - 110/240 volt self ballasted lamp.

USA and Canada:

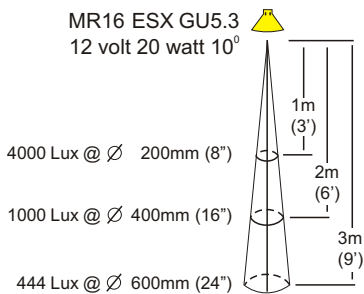
MR16 GU5.3 20 watt lamp max.

GU10 Halogen - Lamp not supplied

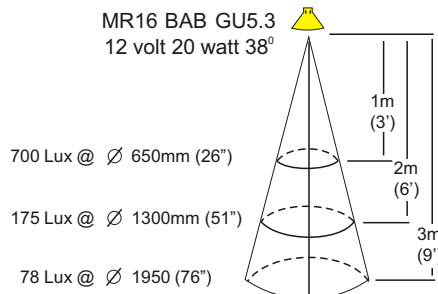
LED - Refer to previous page.

Metal Halide Version not UL or
CSA approved for use in USA/Canada.

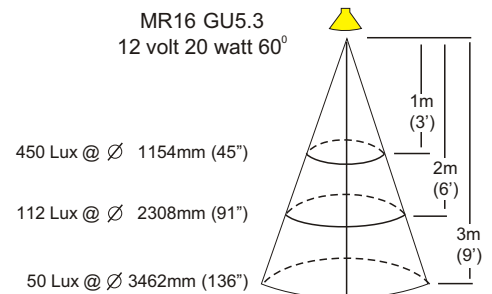
MR16 ESX GU5.3
12 volt 20 watt 10°



MR16 BAB GU5.3
12 volt 20 watt 38°



MR16 GU5.3
12 volt 20 watt 60°



HUNZA™ PURE
OUTDOOR
LIGHTING

HUNZA FACTORY
130 Felton Mathew Ave
Glen Innes
Auckland 1072
New Zealand

Ph: 64-9-528 9471
Fax: 64-9-528 9361
hunza@hunza.co.nz
www.hunza.co.nz

INTERNATIONAL CONTACTS:
www.hunza.co.nz/contacts.php

Specifications may change without notice.
Manufactured in New Zealand.
© 2011 Hunza Holdings Ltd.

Ver 1.4