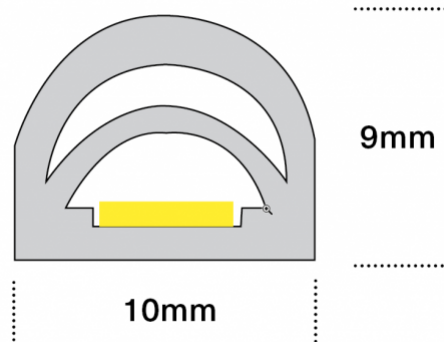


---

# AQS-405 IP65 Neon Flex LED Strip

---



---

## CONFIGURED OPTIONS

<b>ORDER CODE</b>	AQS-405-W2DF
<b>OPTICAL OPTION</b>	Diffuse (Frosted)
<b>LED COLOR</b>	Warm White (2700K)

---

## SPECIFICATIONS

<b>PRODUCT CODE</b>	AQS-405
<b>FAMILY</b>	LED Flex & Festoon
<b>OPTIC OPTIONS</b>	Diffuse (Frosted)
<b>LED COLORS</b>	Warm White (2700K)
<b>CABLE</b>	900mm Aqualux 2-Core Silicone / PTFE Cable
<b>ELECTRICAL</b>	24V DC
<b>WARRANTY</b>	2 Year Electrical & Mechanical
<b>IP RATING</b>	IP65
<b>NOTES</b>	