

Last modification 2022-10-28

LUC.G5-AL83-826
9329501054260



The LUC G series is a recessed inground LED luminaire. The modern design is small and discreet but bright and can therefore optimally illuminate and set the scene for walkways, gardens, and terraces. Directed the light upwards to create an atmospheric highlight on walls or sculptures. It blends flush into the ground and is simple, functional, and available in 3 sizes. With an operating voltage of 8~26 volt and a water-protected rating of IP65, it is a versatile and safe lighting solution for outdoor areas. Other fixtures in the LUC series can be combined to form a complete outdoor space solution. A 12 or 24 volt AC transformer is recommended to power up this fixture.

Overview

Family name	Luc
Categories	Inground Lights
Mounting	Recess
Usage	Outdoor Lighting,Trade Selection

Color / Material

Fixture Color	Clear,Aluminium
Fixture Material	Metal,Polycarbonate
Diffuser Material	Polycarbonate
Diffuser Color	Clear

Size

Fixture Diameter (cm)	6.2
Fixture Height (cm)	8.2

Specification

Voltage Input	12-24V
Wattage (max)	5
Globe Type	LED integrated COB
Globe / Light Source qty	1
Globe / Light Source included	Yes
Lumens	450
Color Temperature	Warm White

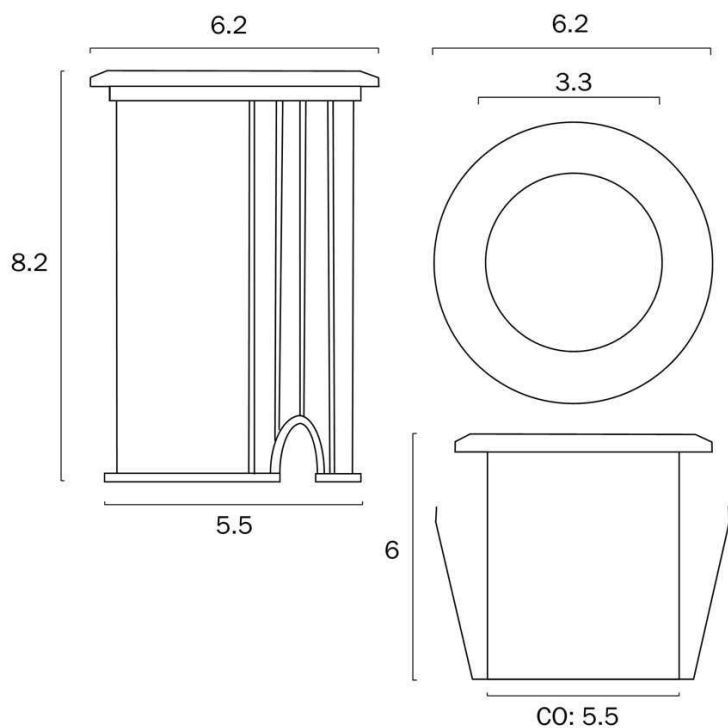
All representations within this document are subject to copyright.ELECTRICAL INSTALLATIONS MUST BE PERFORMED BY A QUALIFIED ELECTRICAL CONTRACTOR AND INSTALLED IN ACCORDANCE WITH AS/NZS 3000.
NOTE : All images , descriptions and dimensions are indicative. Please check latest version of item detail on Telbix website prior to ordering or installation.

Color Kelvin	3000k
Color Rendering	>84
Dimmable	No
Power Factor	>0.90
Beam Angle (degree)	22
IP rating	IP65
Approvals	RCM
Assembly Required	No
Box Contents	Instruction
Installation Required	Yes (by Licensed Electrician only)
Care Instructions	Do not use strong liquid cleaners,Wipe clean with a dry cloth
Replacement Warranty	*3 Years

Barcode

GTIN 9329501054260

Image -dimensions



Note: Dimensions are only a guide and may vary due to manufacturing variations.



