

Industrial Range

Street Lights

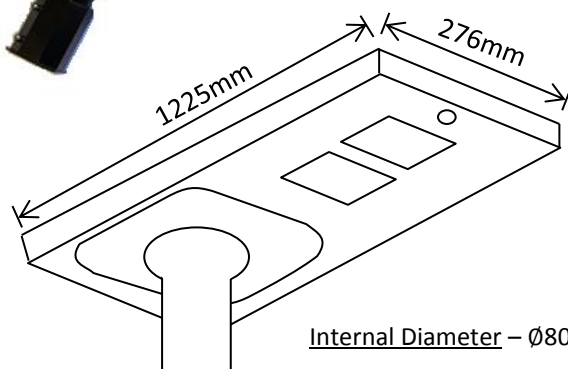
Street Light – “Shoe Box”

Product Code	LED's	Battery	Solar Panel	IP Rating	Lumens
SLDSTL-40W-AIO	160LM/W USA Cree LEDs (Cool White)	1 x 3.7V 46.2Ah Lithium LiFePO4	48W Integrated Monocrystalline Silicon	65	6400 @ 1m

Features:

- Aluminium Alloy (Oxidation) Construction
- Integrated MPPT Smart Controller
- Approximately 6–8 hours Charging Time
- Integrated PIR Control
 - 30% Illumination operation, 100% Illumination for approx. 10 mins when the sensor is triggered
- All-In-One Construction
- Adjustable Spigot
- Strength & Durability Rating: IK10

2 Year Warranty!



Packaged Fitting Weight & Dimensions

W: 17.1kg

D: 131cm x 35cm x 20cm