

# Residential Range

## Path/Deck Lights

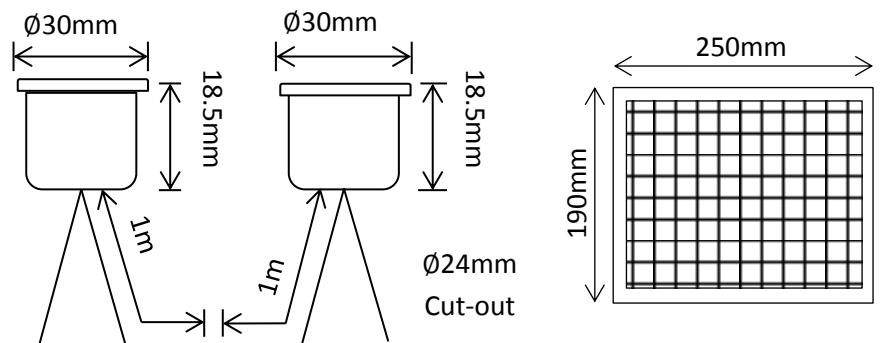
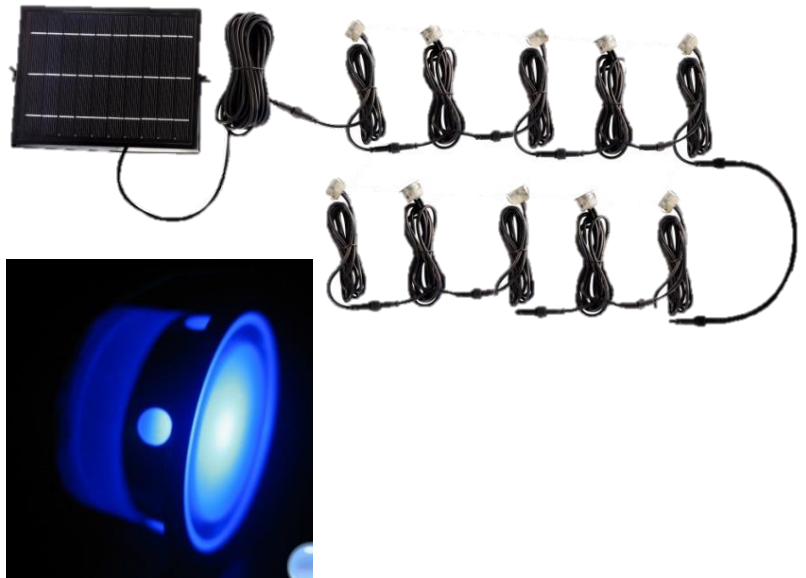
### Deck/In-Ground Kit

Product Code	LED's	Battery	Solar Panel	IP Rating	Lumens
SLDDLK-10RGB	10 x SMD LEDs @0.3W RGB	3 x 1.2V 2.3Ah NiMH	5W Separate Polycrystalline	Panel = 65 Lights = 67	40 @ 1m

#### Features:

- Stainless Steel Construction
- Approximately 6-8 hours Operation
- 100kg Max Walk Over Pressure
- Flush Mounting Position
- 5m Moulded Cable from Solar Panel to First Light
- 2m Moulded Cable Joining Light to Light

**1 Year Warranty!**



#### Packaged Fitting Weight & Dimensions

W: 2.3kg

D: 30cm x 19cm x 12cm