

# Contour



## Contour 4

The Contour 4 comes complete with 4x 275W infrared heat lamps, powerful and quiet ball bearing exhaust fan, 13W 3000K CFL light globe, 4-Gang labelled switch, ducting and grill plus half heating function.



### FEATURES

- /// 3 year In Home warranty
- /// Excellent airflow 250m<sup>3</sup> / h
- /// Long life ball bearing motor
- /// Quiet operation
- /// Turbo fan blade
- /// Duct outlet (100mm diameter)
- /// Removable grill
- /// Half or full heat function 4x 275 infra-red heat lamps included
- /// 1x 13W CFL clear lamp
- /// 1x 4-Gang switch included
- /// Exhaust fan with side ducting + grill included
- /// Remote control adaptable (MBHREM)

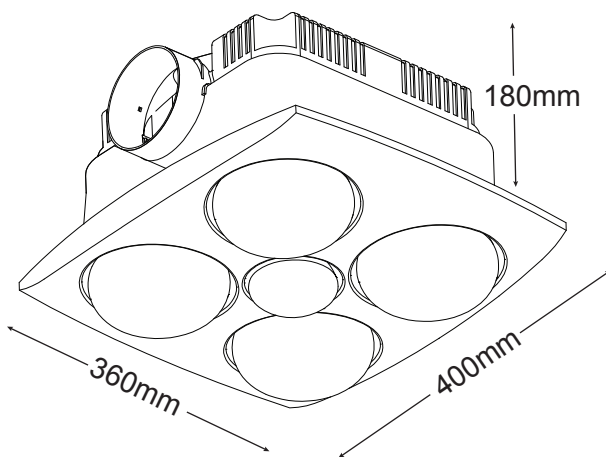


MBHC4LW



MBHC4LS

### DIAGRAM



4 x 275W instant heat infrared heat lamps

1 x 13W CFL Clear Lamp

CUT OUT SIZE 300mm x 300mm

GRILL SIZE 400mm x 360mm

Minimum ceiling depth of 200mm is required

