

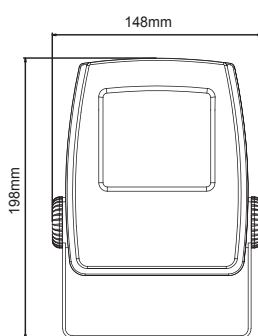


LED FLOOD LIGHTS

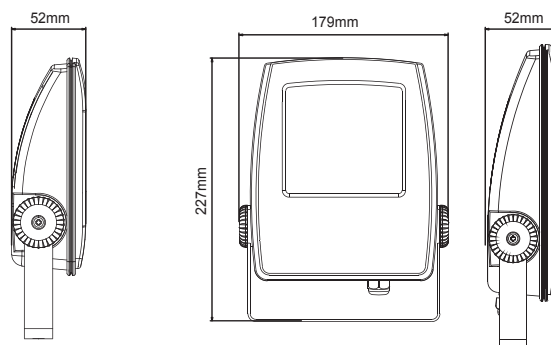
- Input voltage: 180-250V 50/60Hz
- Material: PC body & aluminium bracket
- Wattage: 15W & 30W
- Hongli 2835 LED chips
- Power factor: ≥ 0.9
- Ambient temp: -20 to $+40^{\circ}\text{C}$
- IP65 rated
- Not suitable for dimming
- Suitable for 2-way switching
- Suitable for use with Microwave & PIR sensors



LIFE TIME 25,000 HOURS	BEAM 70°	IP65 RATED	WARRANTY 2 YEARS REPLACEMENT
-------------------------------------	--------------------	---------------	---



FLOOD15



FLOOD16

CODE	DESCRIPTION	TECHNICAL DATA				PACKAGING		
		KELVIN (K)	LUMENS (LM)	WATT (W)	CRI	WEIGHT (kg)	BOX (cm)	CARTON QTY
FLOOD15	FLOOD LED BLK P/C (aluminum bracket) 15W 5000K	5000	1200	15	80	0.5	34.5x33x24.5	10
FLOOD16	FLOOD LED BLK P/C (aluminum bracket) 30W 5000K	5000	2200	30	80	0.8	50x34.5x25.5	10

updated on 07/12/2017

Tel: (02) 9938 7100 | Fax: (02) 9938 7115 | Email: sales@clalighting.com.au

Website: www.clalighting.com.au

Follow us: facebook.com/CLALighting