

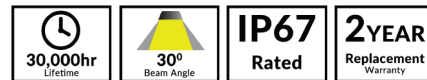
DECK

EXTERIOR LED DECK LIGHTS



PRODUCT FEATURES

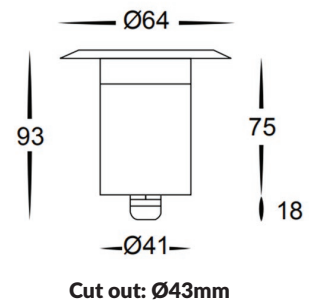
- Exterior LED deck lights
- Input voltage range: 9-14V DC
- Faceplate: 316 stainless steel / copper
- Housing: aluminium
- Diffuser: PVC
- Flex: 900mm
- LED chip: 1pc Brightlux 45mil
- Power factor: 0.98
- CRI: 80
- Ambient temperature: -20 to 50°C
- Not suitable for dimming



DECK01 & DECK02



DECK03 & DECK04



Tested & Recommended Drivers:

Indoor drivers: DRIV1 (1-3PCS/driver), CLADR12WFP (1-3PCS/driver)

Weather Proof drivers: OTTER1 (1-3PCS/driver), CLA111011 (1-2PCS/driver), CLA113011 (1-8PCS/driver), CLA115011 (2-13PCS/driver), CLA1110011 (4-26PCS/driver), CLA1115011 (5-40PCS/driver), CLA1120011 (7-53PCS/driver)

Part No.	Description	Colour	Kelvin	Lumens	Watt	CRI	Cut out	Weight	Box	Carton QTY
DECK01	DECK LIGHT LED 3000K 12V 3W 43mm	Stainless Steel	3000K	160lm	3W	80	Ø43mm	0.34kg	22x8x8cm	1/50
DECK02	DECK LIGHT LED 6000K 12V 3W 43mm	Stainless Steel	6000K	180lm	3W	80	Ø43mm	0.34kg	22x8x8cm	1/50
DECK03	DECK LIGHT LED 3000K 12V 3W 43mm	Natural Copper	3000K	160lm	3W	80	Ø43mm	0.34kg	22x8x8cm	1/50
DECK04	DECK LIGHT LED 6000K 12V 3W 43mm	Natural Copper	6000K	180lm	3W	80	Ø43mm	0.34kg	22x8x8cm	1/50